

NOTE: Short radius post bolt washers located on post nos. 1P-4P and 1S-2S



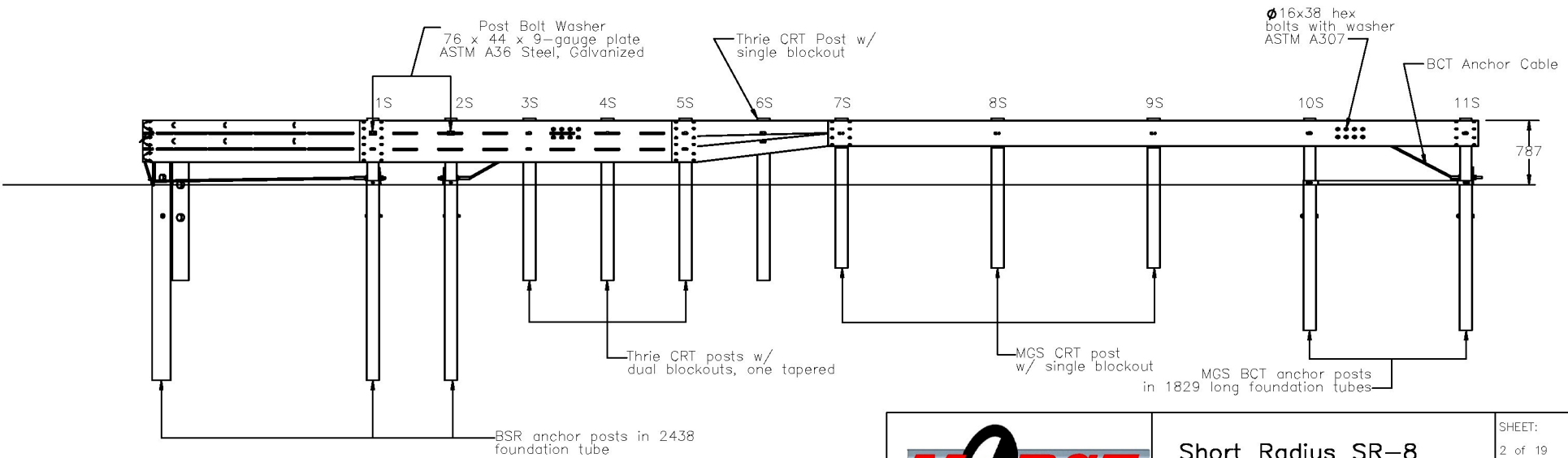
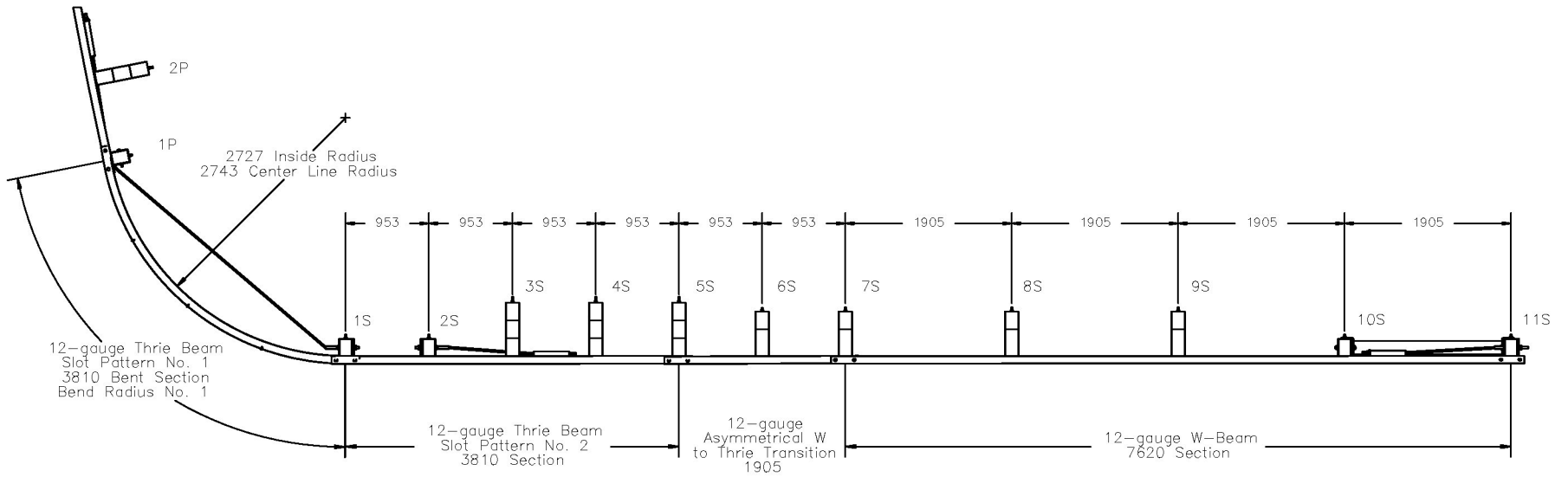
Midwest Roadside Safety Facility

Short Radius SR-8
System Layout

DWG. NAME: Short_Radius_sr8_metric

SCALE: 1:125
UNITS: mm

SHEET: 1 of 19
DATE: 7/31/2007
DRAWN BY: CSS
REV. BY: KAP, BWB



Midwest Roadside Safety Facility

Short Radius SR-8

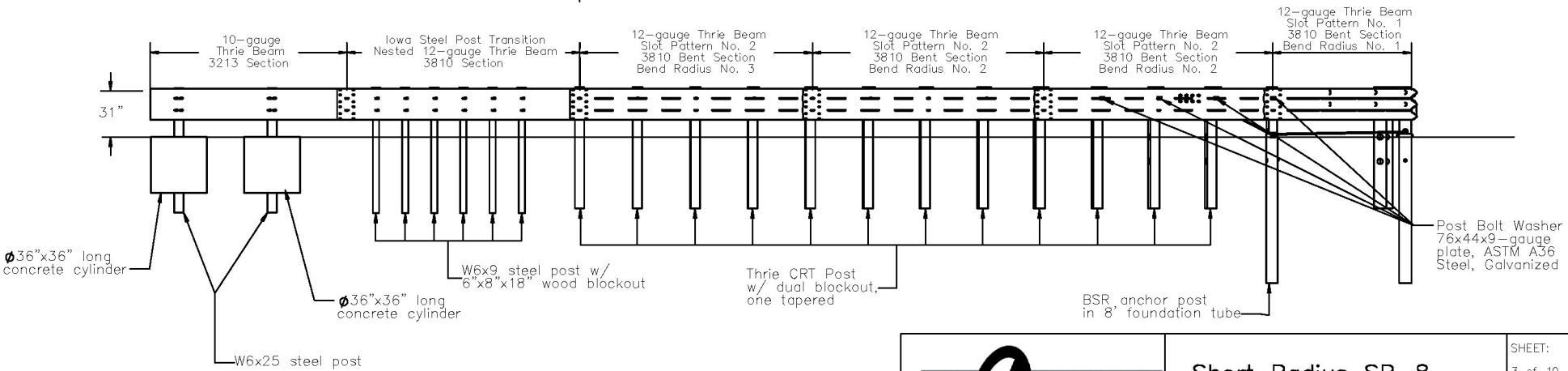
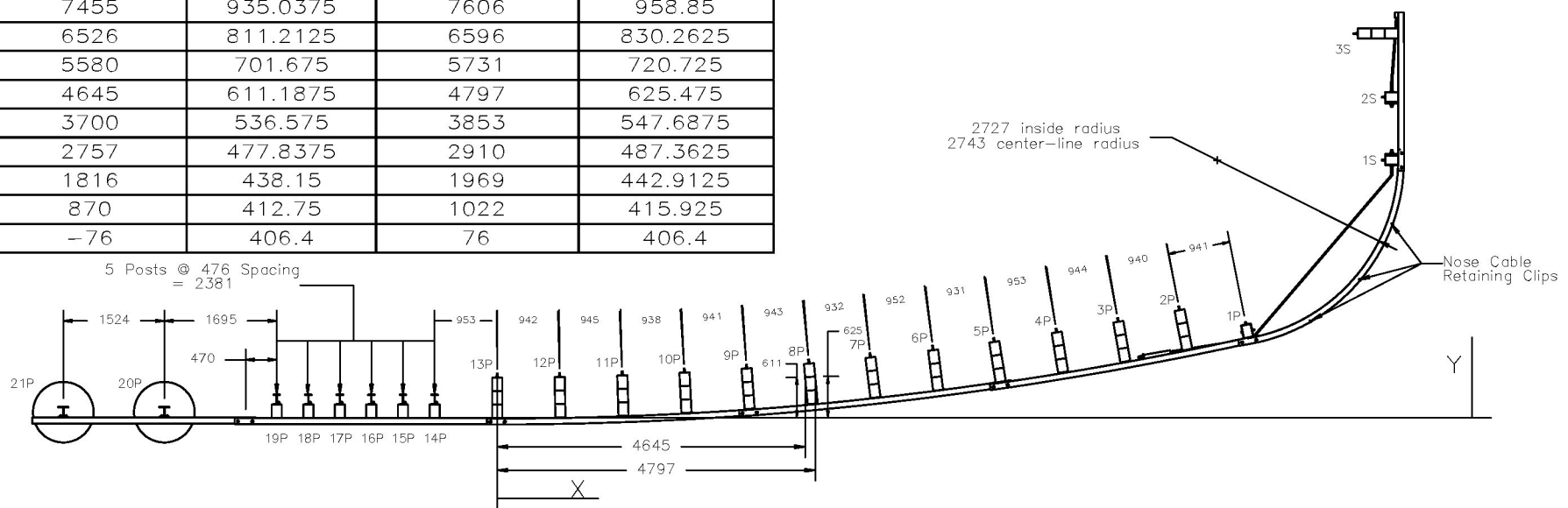
Layout for TL-2 Side

DWG. NAME:
Short_Radius_sr8_metric

SCALE: 1:75
UNITS: mm

SHEET:
2 of 19
DATE:
7/31/2007
DRAWN BY:
CSS
REV. BY:
KAP, BWB

Post No.	Front Face D.S. Edge		Front Face U.S. Edge	
	X	Y	X	Y
1P	11254	1209.675	11395	1235.075
2P	10258	1412.875	10408	1443.0375
3P	9330	1238.25	9481	1265.2375
4P	8396	1079.5	8547	1103.3125
5P	7455	935.0375	7606	958.85
6P	6526	811.2125	6596	830.2625
7P	5580	701.675	5731	720.725
8P	4645	611.1875	4797	625.475
9P	3700	536.575	3853	547.6875
10P	2757	477.8375	2910	487.3625
11P	1816	438.15	1969	442.9125
12P	870	412.75	1022	415.925
13P	-76	406.4	76	406.4



Midwest Roadside Safety Facility

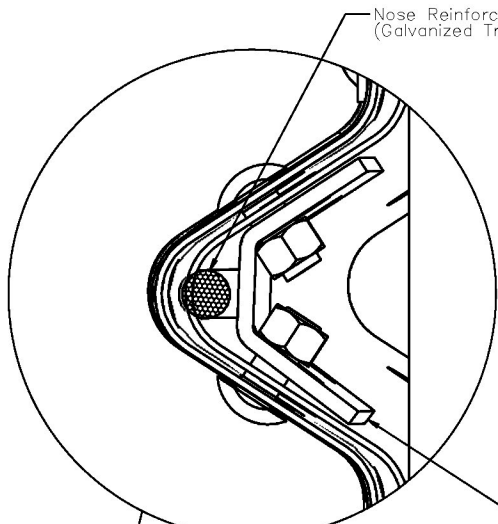
Short Radius SR-8

Layout for TL-3 Side & Post Locations

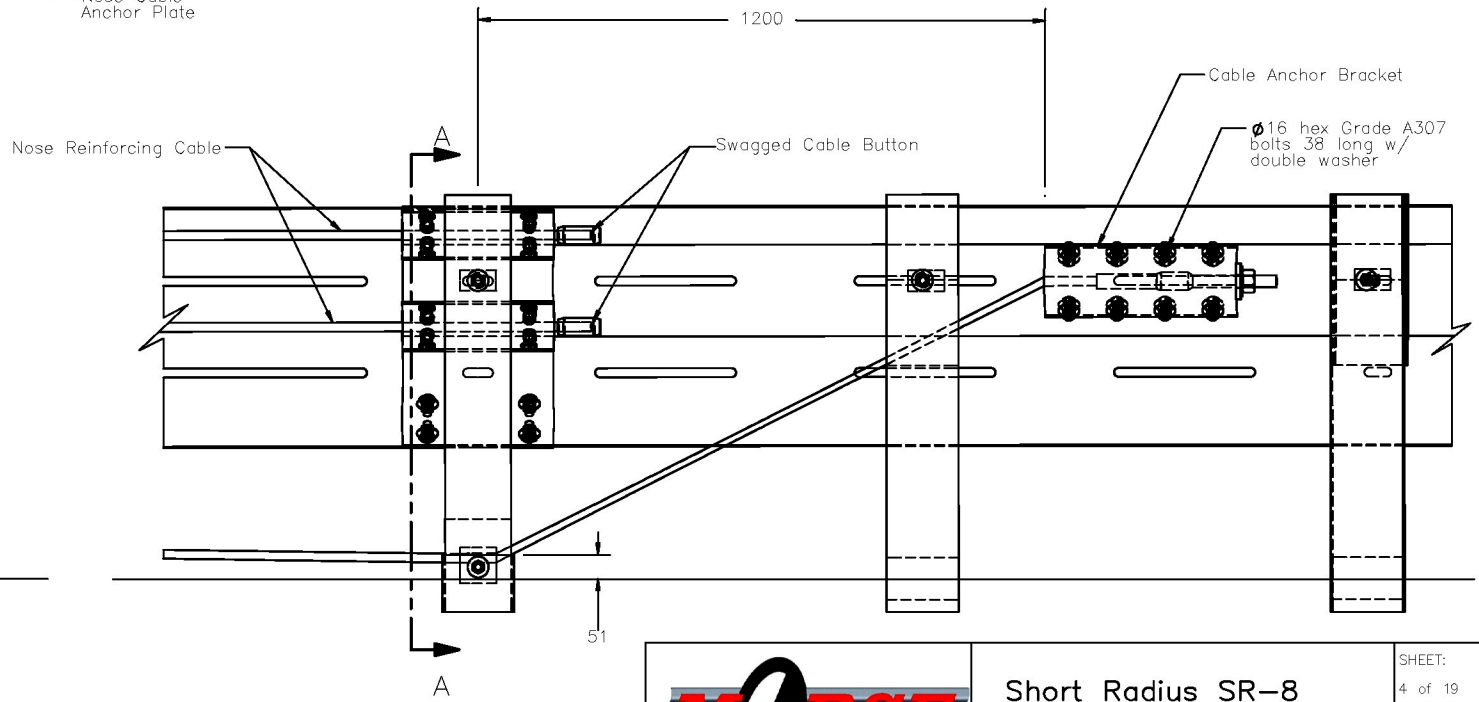
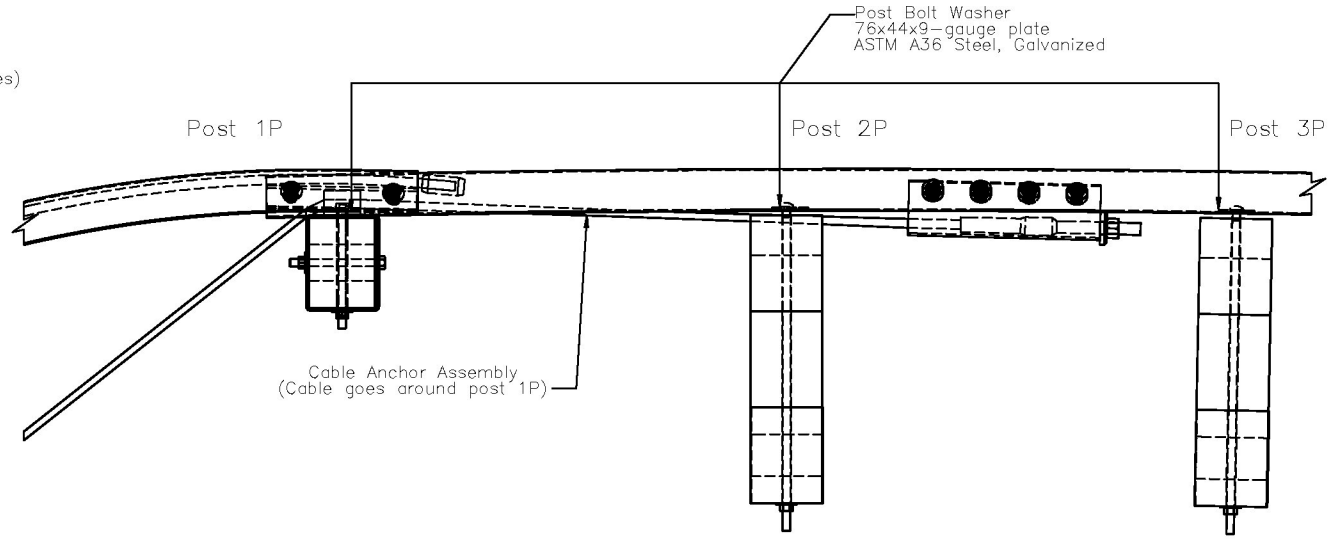
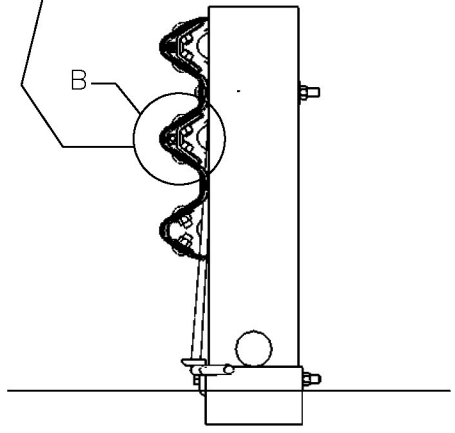
DWG. NAME:
Short_Radius_sr8_metric

SCALE: 1:100
UNITS: mm

SHEET:
3 of 19
DATE:
7/31/2007
DRAWN BY:
CSS
REV. BY:
KAP, BWB

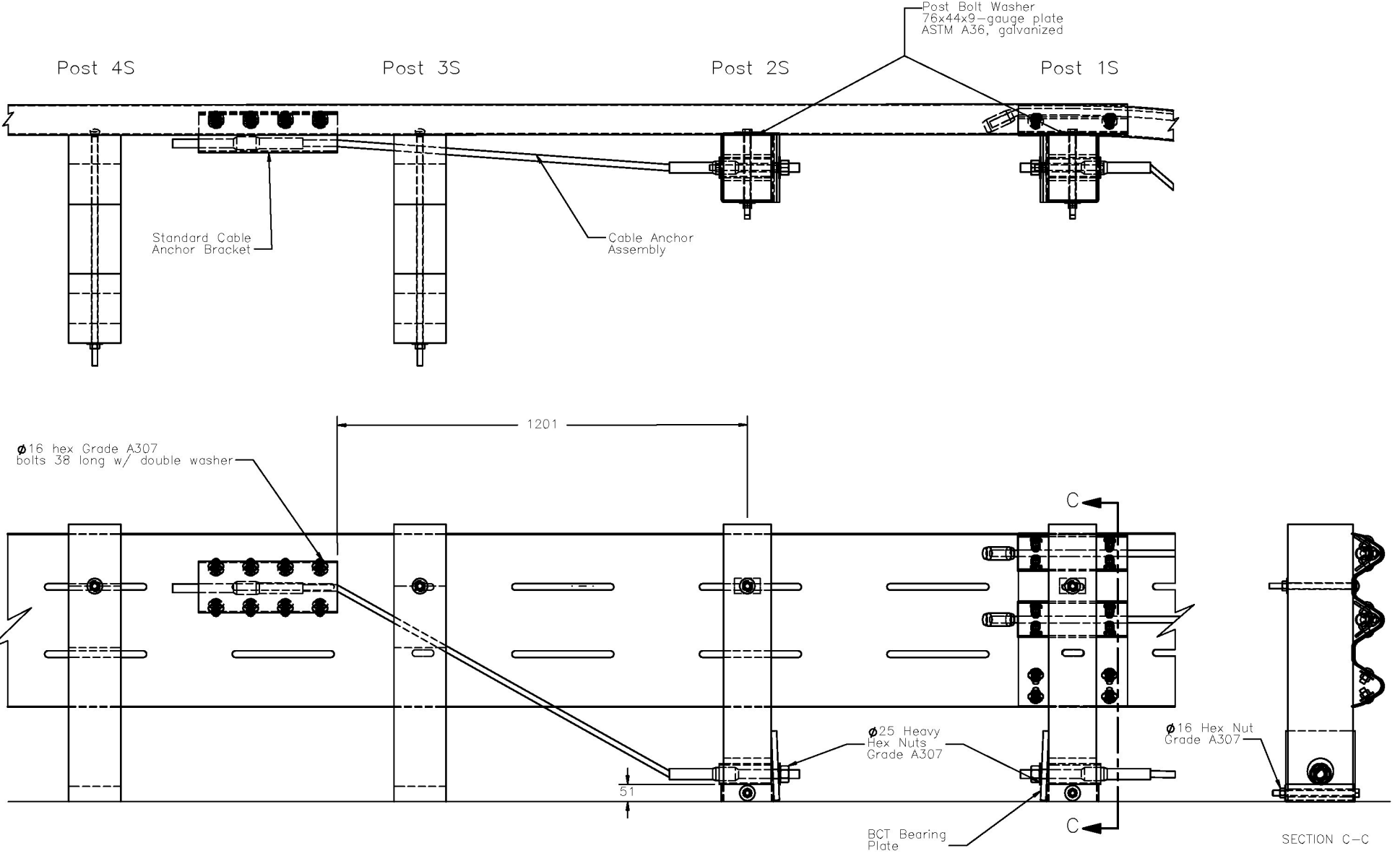


DETAIL B
SCALE 1 : 3



Midwest Roadside Safety Facility

Short Radius SR-8 Cable Anchor Detail TL-3 Side	SHEET: 4 of 19
	DATE: 7/31/2007
DWG. NAME: Short_Radius_sr8_metric	DRAWN BY: CSS
SCALE: 1:16 UNITS: mm	REV. BY: KAP, BWB



Midwest Roadside Safety Facility

Short Radius SR-8

Cable Anchor Detail
TL-2 Side

DWG. NAME:
Short_Radius_sr8_metric

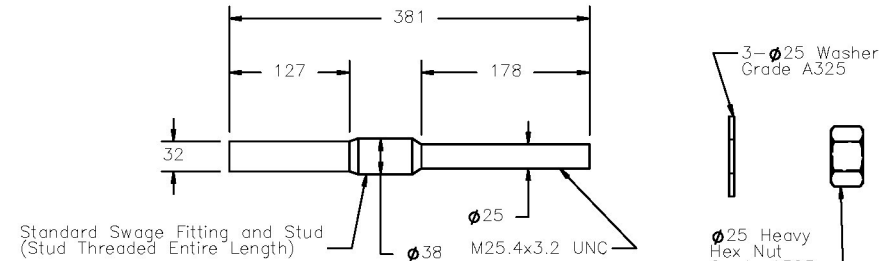
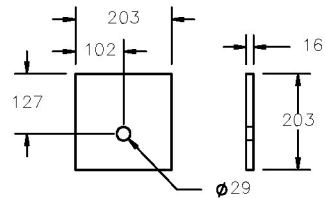
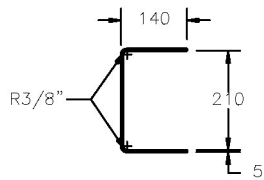
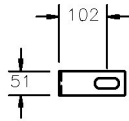
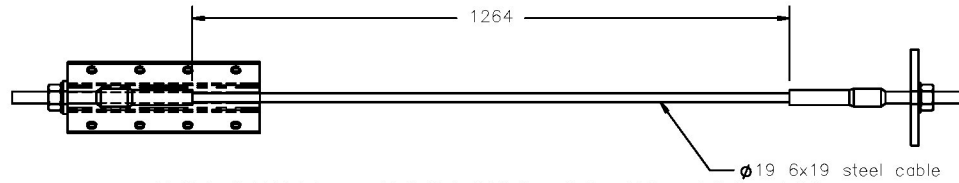
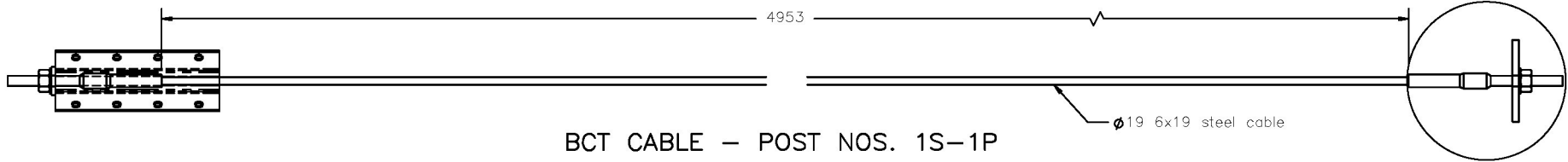
SCALE: 1"=16"
UNITS: mm

SHEET:
5 of 19

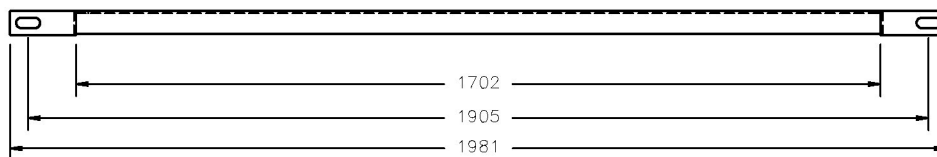
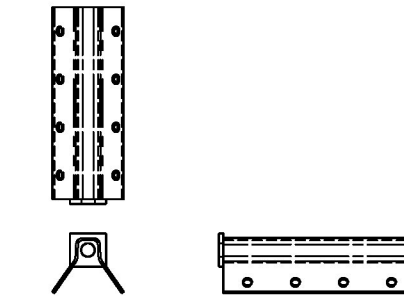
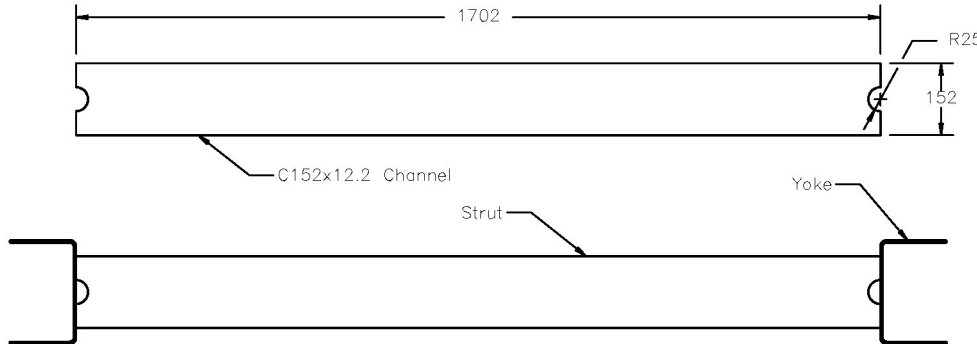
DATE:
7/31/2007

DRAWN BY:
CSS

REV. BY:
KAP, BWB



STRUT DETAILS



GROUND STRUT



Midwest Roadside Safety Facility

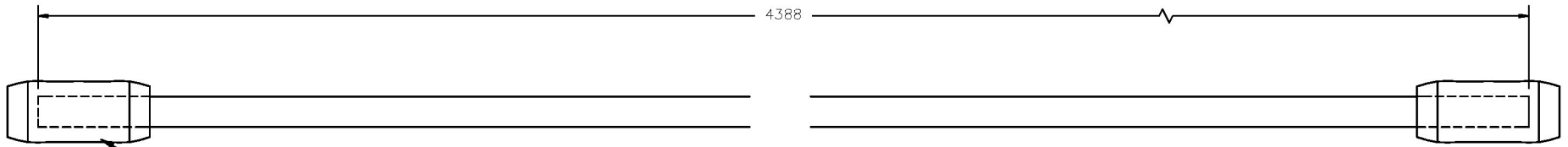
Short Radius SR-8

BCT Cable Details
Anchorage Part Details

DWG. NAME:
Short_Radius_sr8_metric

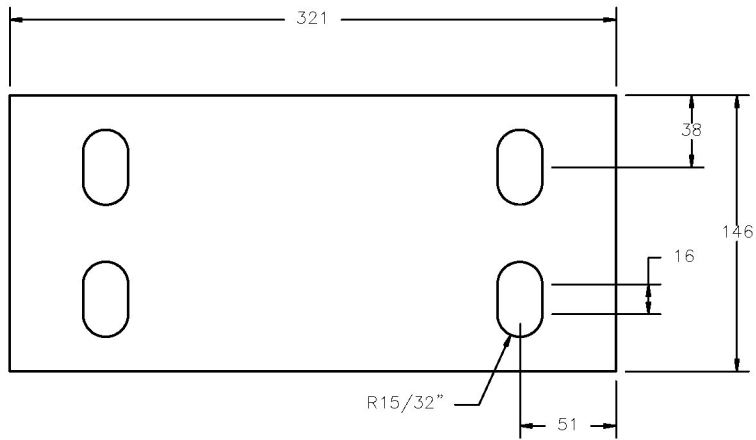
SCALE: 1:16
UNITS: mm

SHEET:
6 of 19
DATE:
7/31/2007
DRAWN BY:
CSS
REV. BY:
KAP, BWB

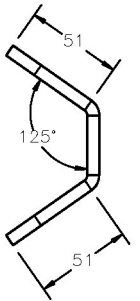
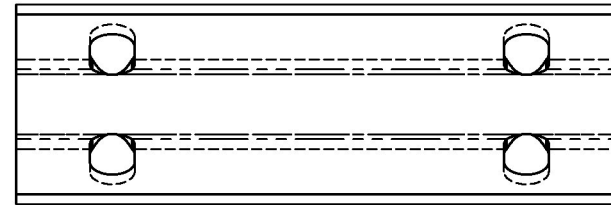
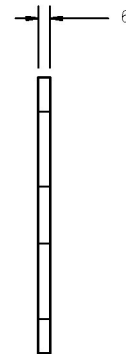


"Cold Tuff" Button, S409 Size
 No. 12 SB 70 mm Stock No.
 1040395 for $\phi 16$ (6x25) wire rope

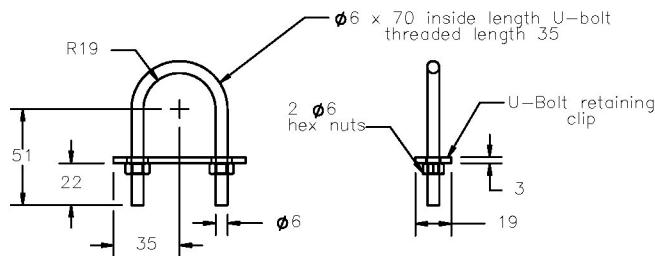
NOSE CABLE




NOSE CABLE ANCHOR PLATE



NOSE CABLE ANCHOR PLATE
 BENDING DIAGRAM

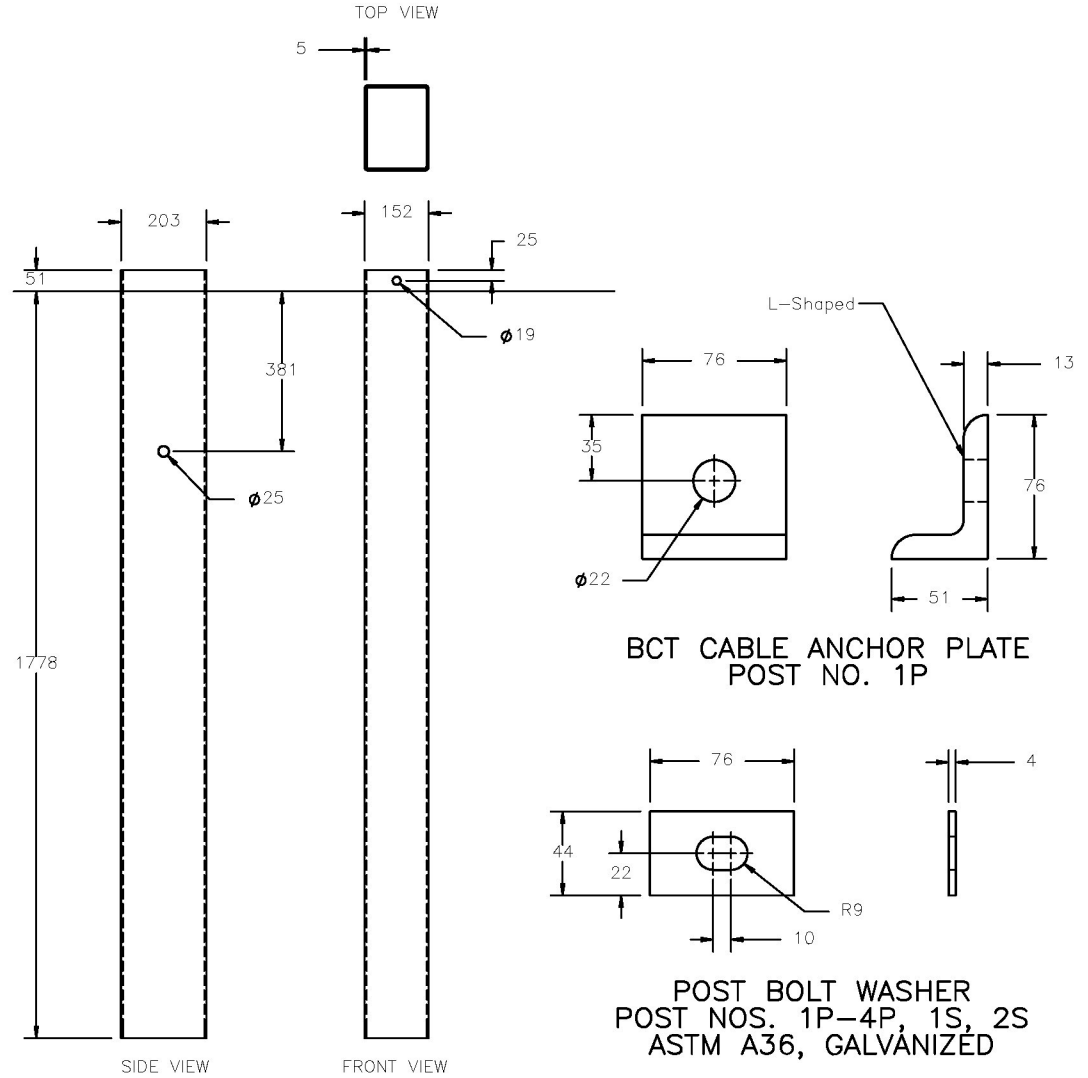
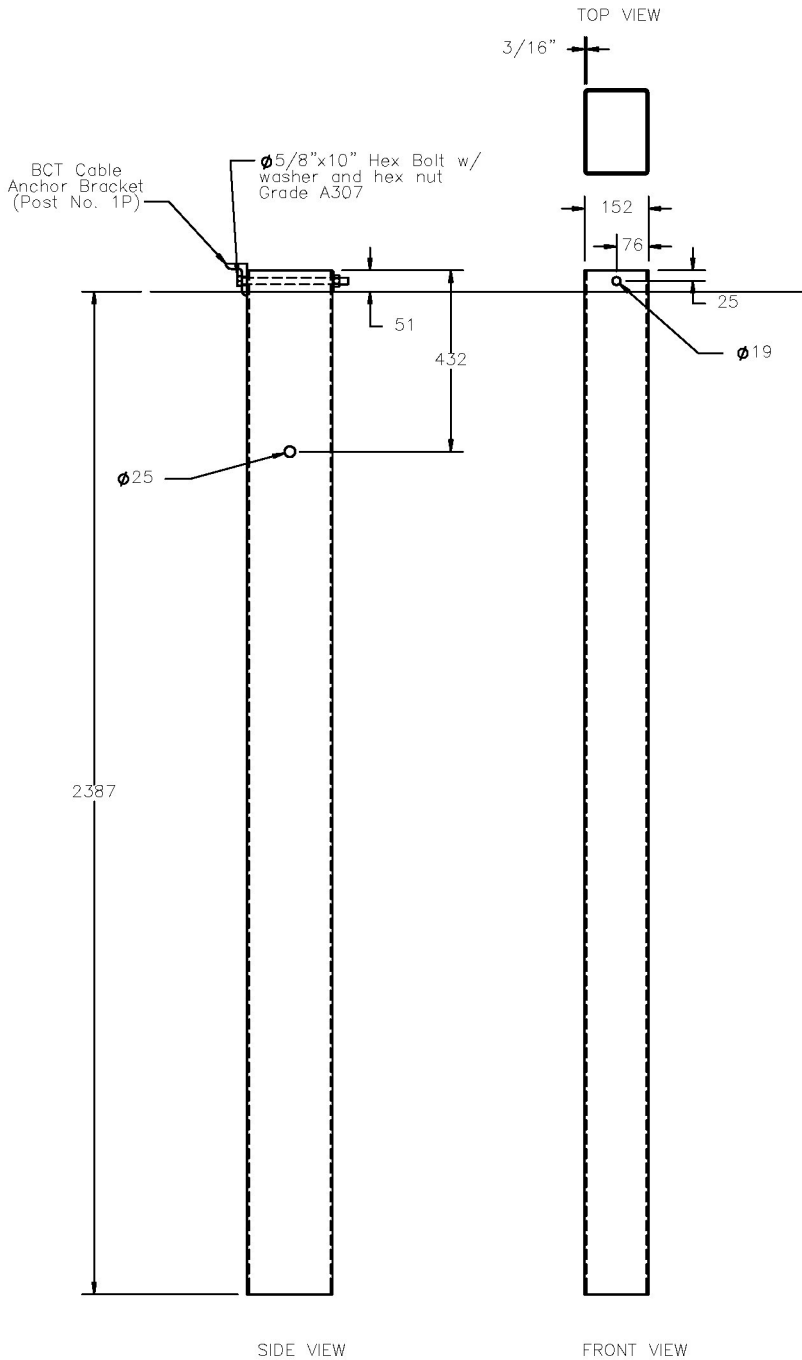


NOSE CABLE RETAINING CLIP

 Midwest Roadside Safety Facility	Short Radius SR-8 Nose Cable Anchor Plate Nose Cable Detail	SHEET: 7 of 19
	DWG. NAME: Short_Radius_sr8_metric	SCALE: 1:4 UNITS: mm

THRIE BEAM FOUNDATION TUBE

MGS BCT FOUNDATION TUBE



Midwest Roadside Safety Facility

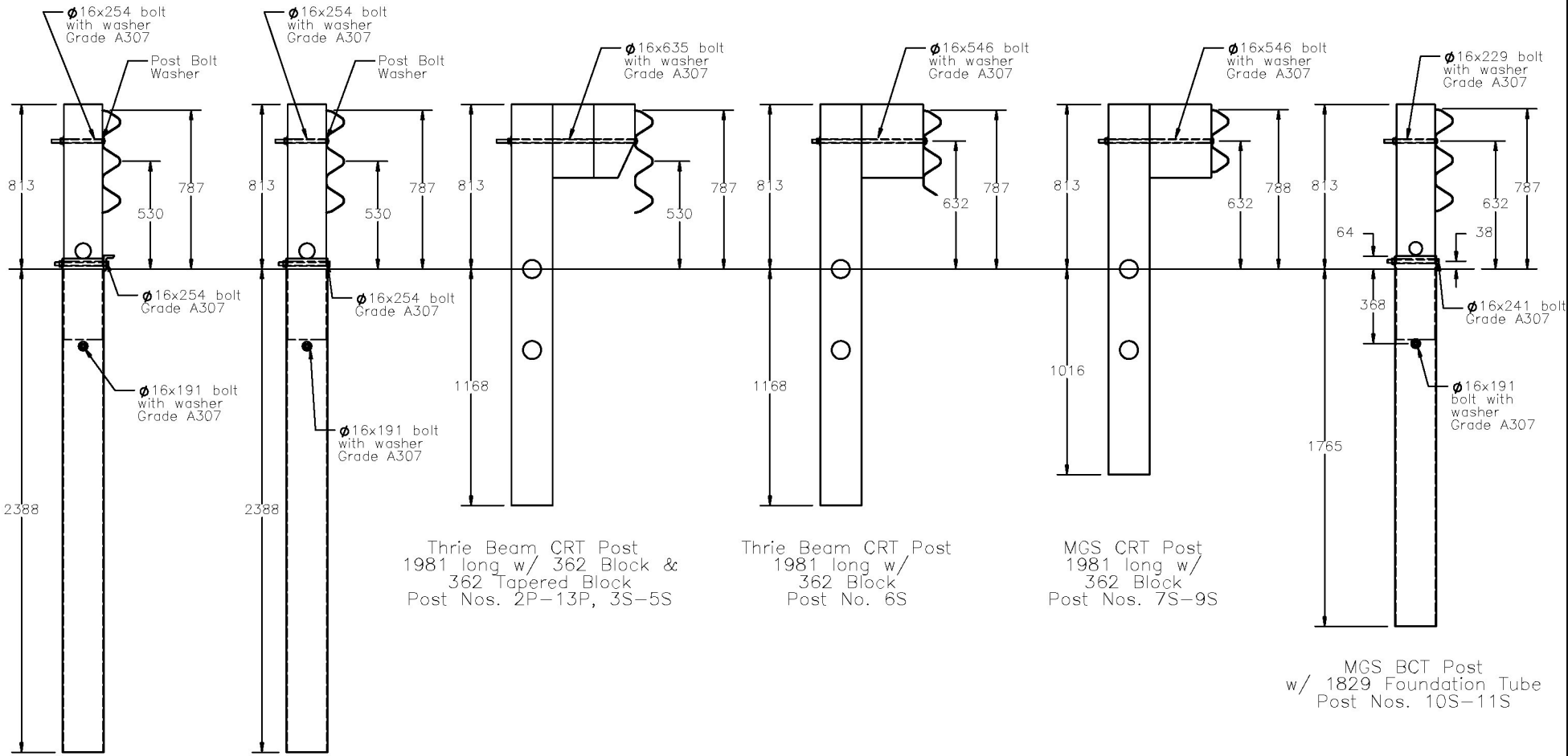
Short Radius SR-8

Foundation Tubes
BCT Cable Anchor Plate
Post Bolt Washer

DWG. NAME:
Short_Radius_sr8_metric

SCALE: None
UNITS: mm

SHEET:
8 of 19
DATE:
7/31/2007
DRAWN BY:
CSS
REV. BY:
KAP, BWB



BSR Post w/ 2438 Foundation Tube Post No. 1P
 BSR Post w/ 2438 Foundation Tube Post Nos. 1S-2S

Thrie Beam CRT Post 1981 long w/ 362 Tapered Block Post Nos. 2P-13P, 3S-5S

Thrie Beam CRT Post 1981 long w/ 362 Block Post No. 6S

MGS CRT Post 1981 long w/ 362 Block Post Nos. 7S-9S

MGS BCT Post w/ 1829 Foundation Tube Post Nos. 10S-11S

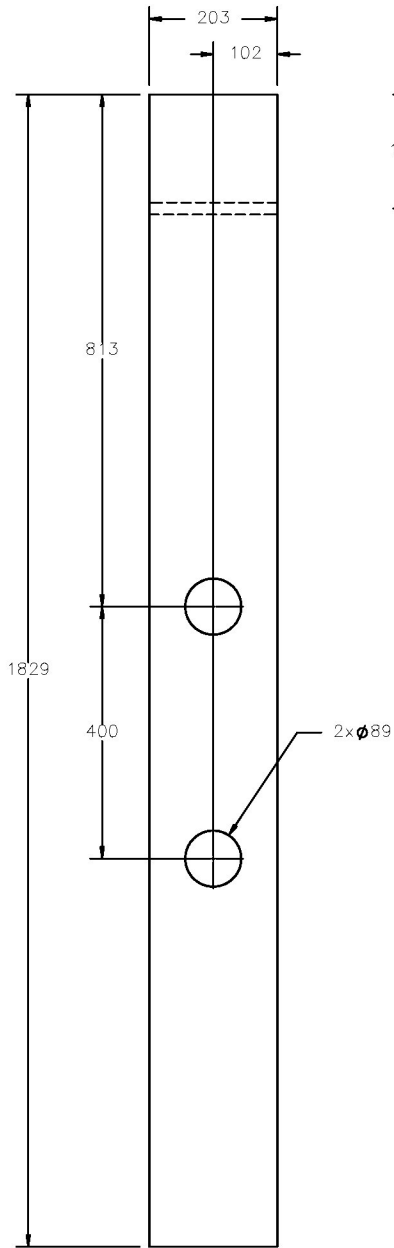


Midwest Roadside Safety Facility

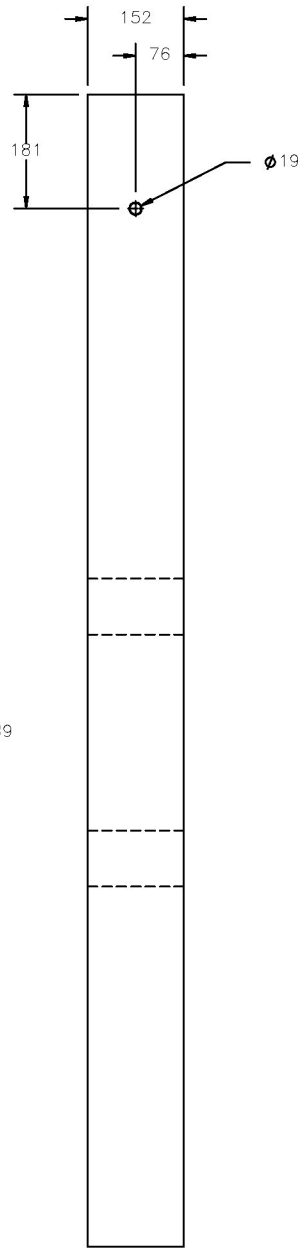
Short Radius SR-8

Post Detail
 1P, 1S-2S, 2P-13P, 3S-5S, 6S, 7S-9S, 10S-11S

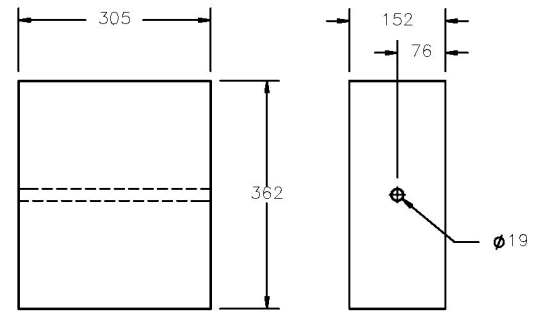
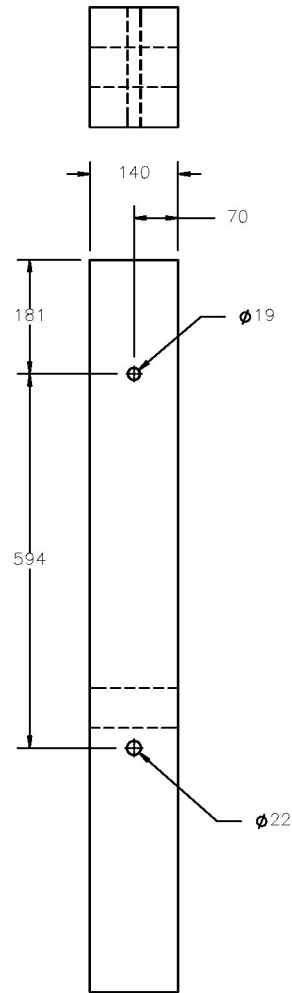
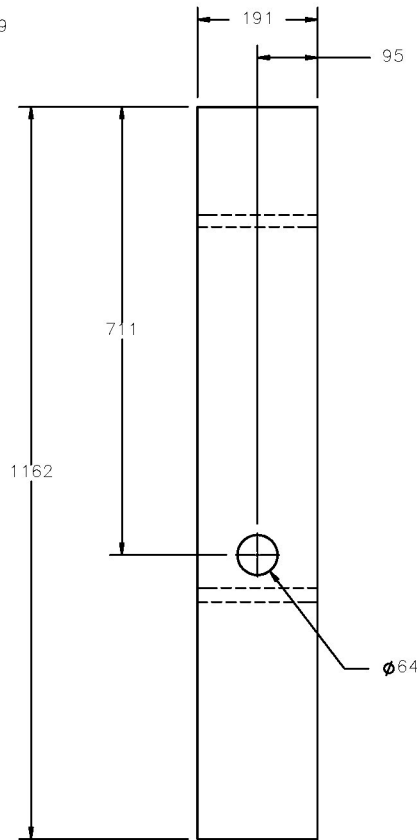
DWG. NAME: Short_Radius_sr8_metric	SCALE: 1:30 UNITS: mm	SHEET: 9 of 19
		DATE: 7/31/2007
		DRAWN BY: CSS
		REV. BY: KAP, BWB



MGS CRT Post



MGS BCT Post



MGS Blockout



Midwest Roadside
Safety Facility

Short Radius SR-8

MGS CRT & BCT Post Details
MGS Blockout

SHEET:
10 of 19

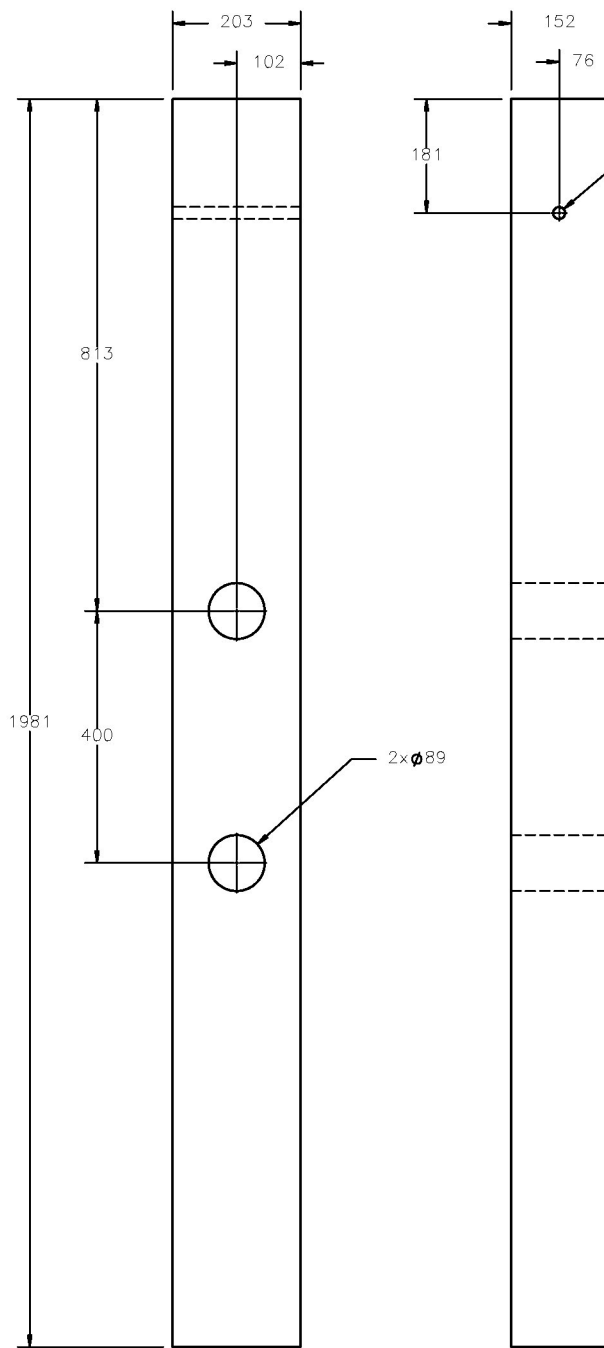
DATE:
7/31/2007

DRAWN BY:
CSS

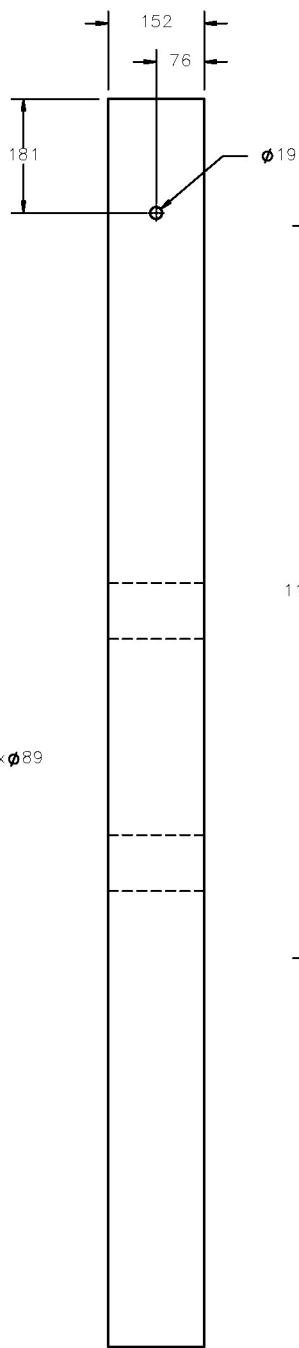
DWG. NAME:
Short_Radius_sr8_metric

SCALE: 1:12
UNITS: mm

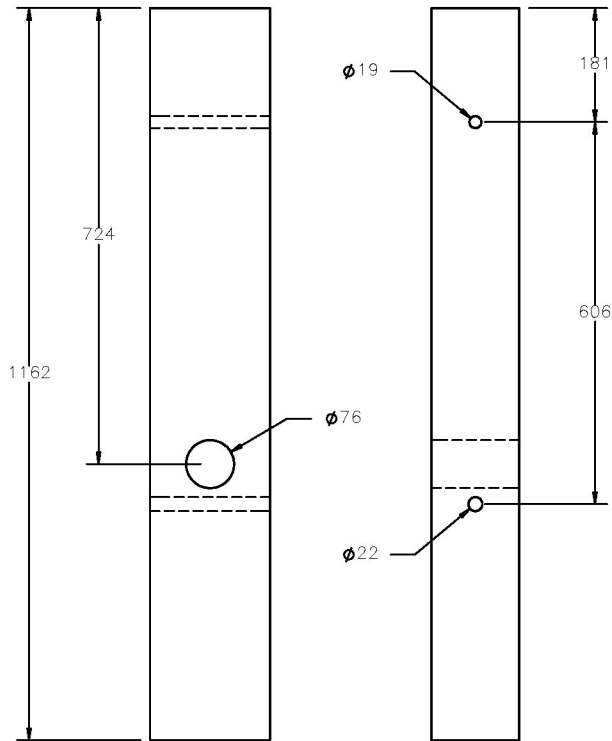
REV. BY:
KAP, BWB



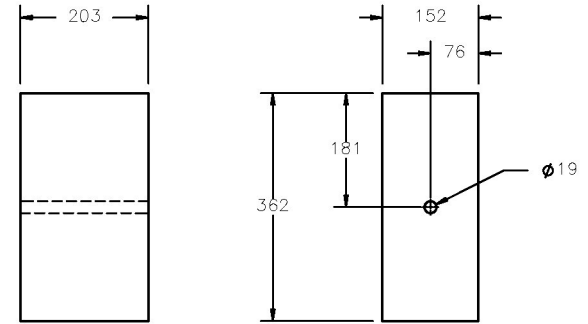
Thrie Beam CRT Post



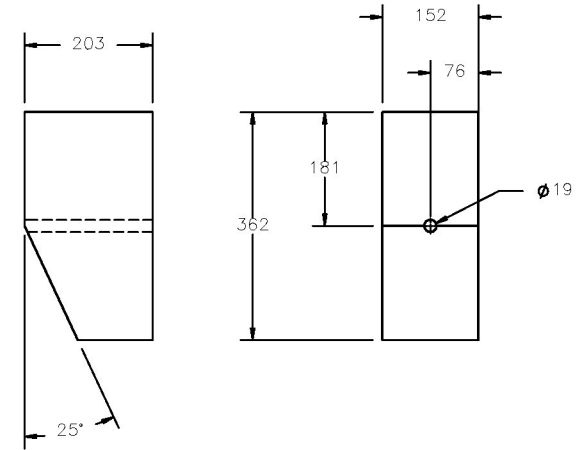
BSR Post
(Breakaway Short Radius)



Standard Blockout



Tapered Blockout



Midwest Roadside
Safety Facility

Short Radius SR-8

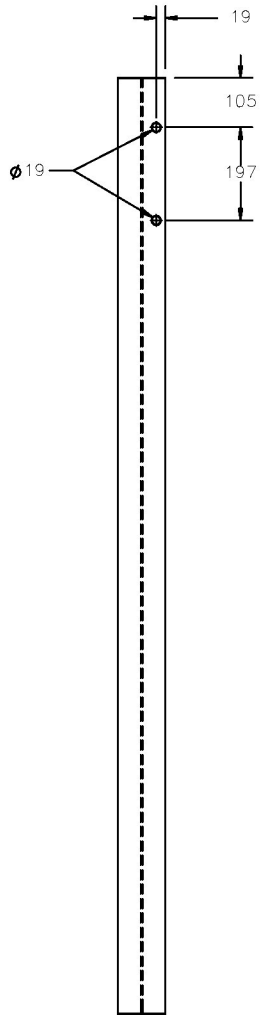
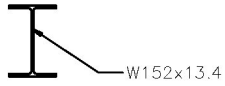
Thrie Beam CRT Post
BSR Post
Standard and Tapered Blockout

DWG. NAME:
Short_Radius_sr8_metric

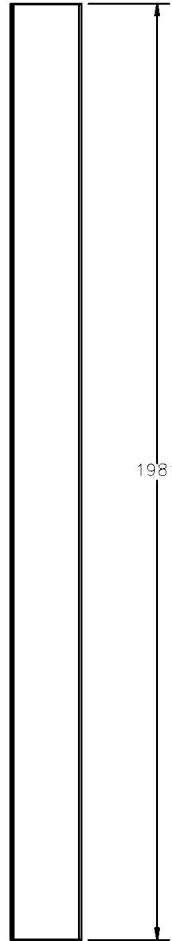
SCALE: 1:12
UNITS: mm

SHEET:
11 of 19
DATE:
7/31/2007
DRAWN BY:
CSS
REV. BY:
KAP, BWB

TOP VIEW

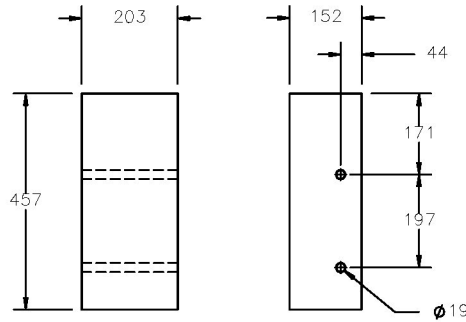


FRONT VIEW

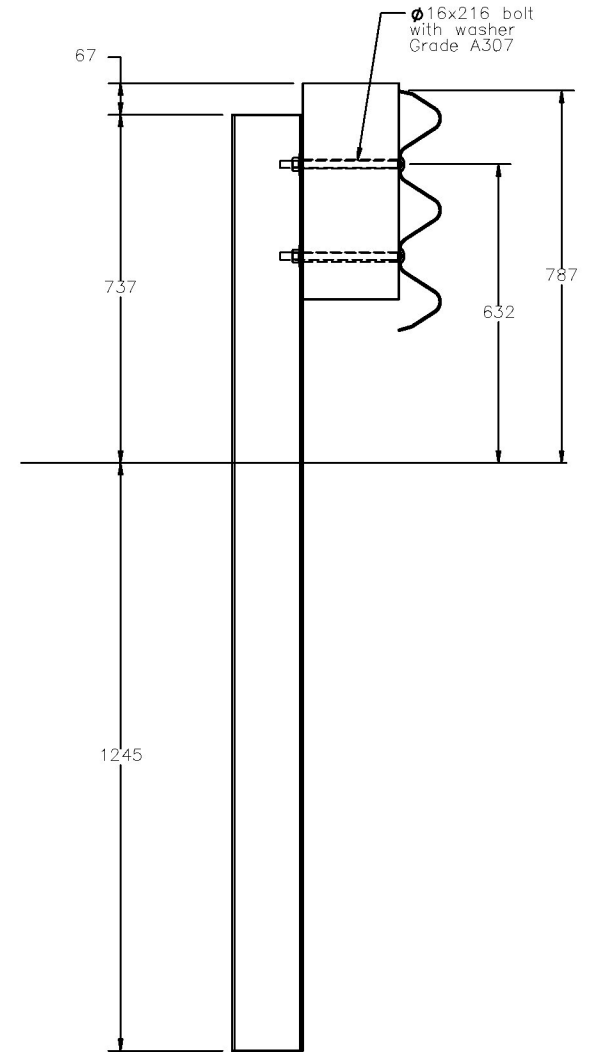


SIDE VIEW

TRANSITION POSTS



TRANSITION BLOCKOUT



Iowa Transition Post
6'-6" long with 18" blockout
Post Nos. 14P-19P



Midwest Roadside
Safety Facility

Short Radius SR-8

Post Nos. 14P-19P Details

DWG. NAME:
Short_Radius_sr8_metric

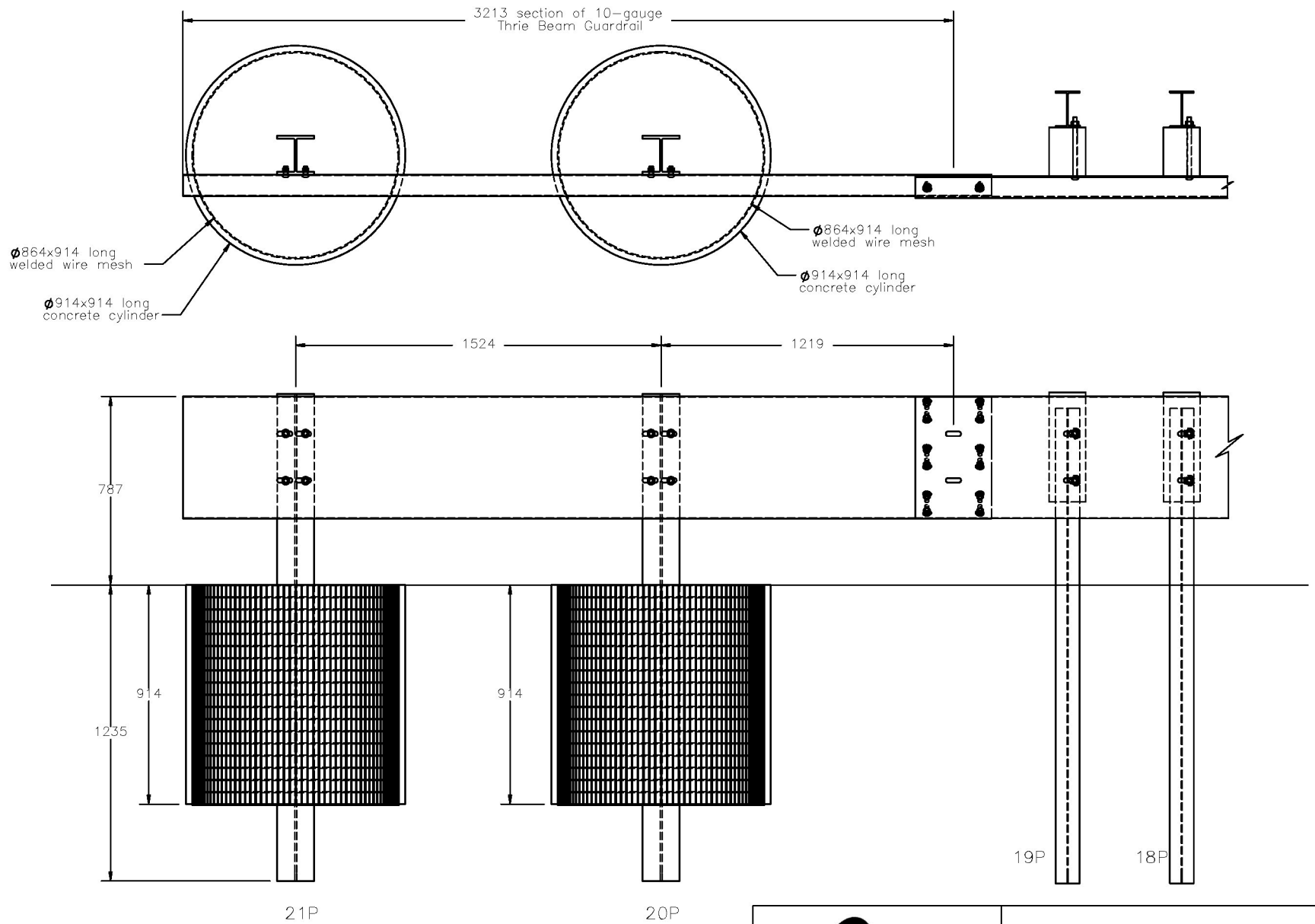
SCALE: 1:16
UNITS: mm

SHEET:
12 of 19

DATE:
7/31/2007

DRAWN BY:
CSS

REV. BY:
KAP, BWB



Midwest Roadside
Safety Facility

Short Radius SR-8

TL-3 Side
End Anchorage Details

DWG. NAME:
Short_Radius_sr8_metric

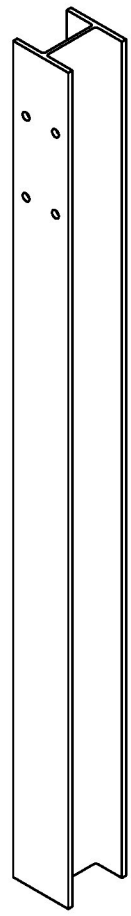
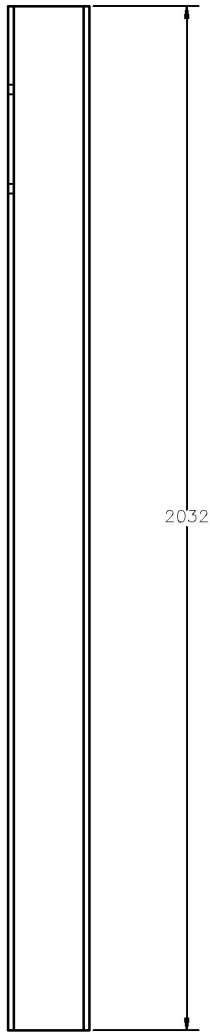
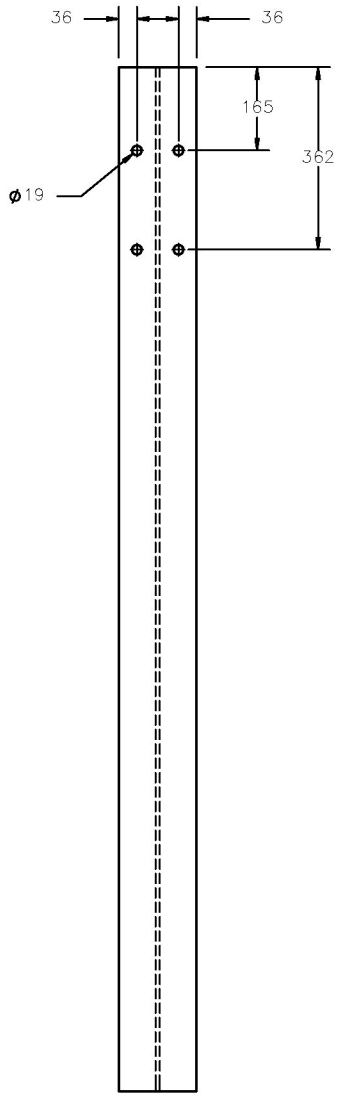
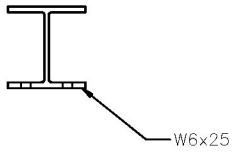
SCALE: 1:24
UNITS: mm

SHEET:
13 of 19

DATE:
7/31/2007

DRAWN BY:
CSS

REV. BY:
KAP, BWB



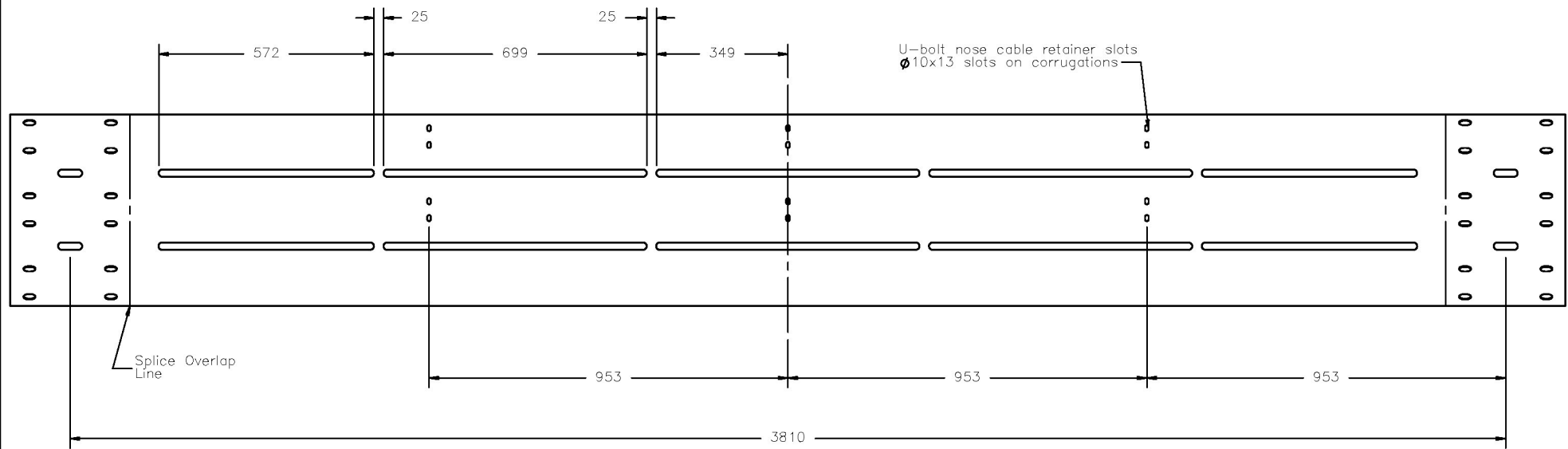
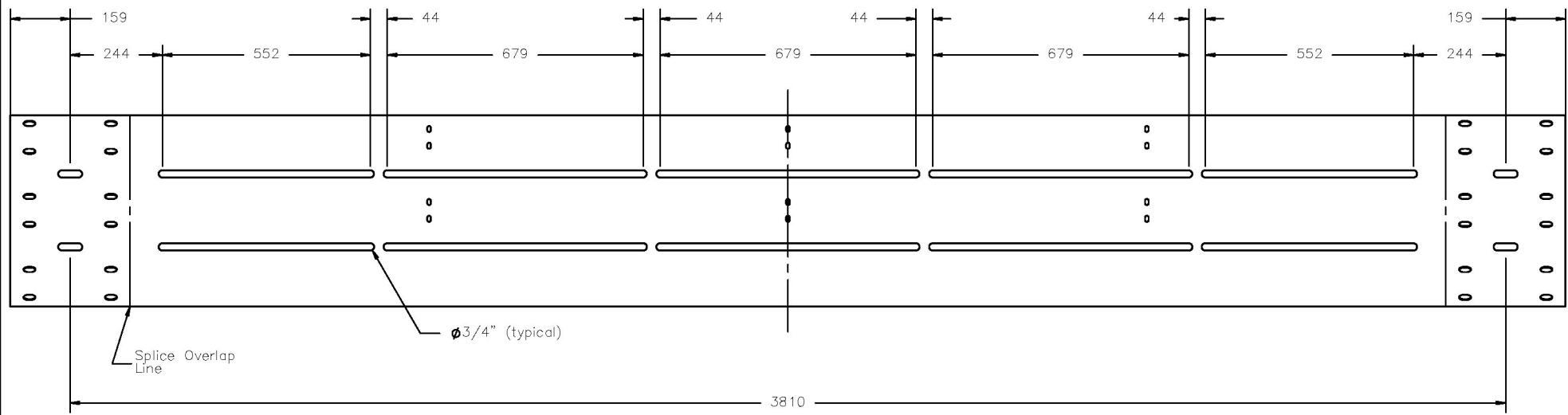
Midwest Roadside Safety Facility

Short Radius SR-8
W152x37.2 Steel Post

DWG. NAME:
Short_Radius_sr8_metric

SCALE: 1:15
UNITS: mm

SHEET:
14 of 19
DATE:
7/31/2007
DRAWN BY:
CSS
REV. BY:
KAP, BWB

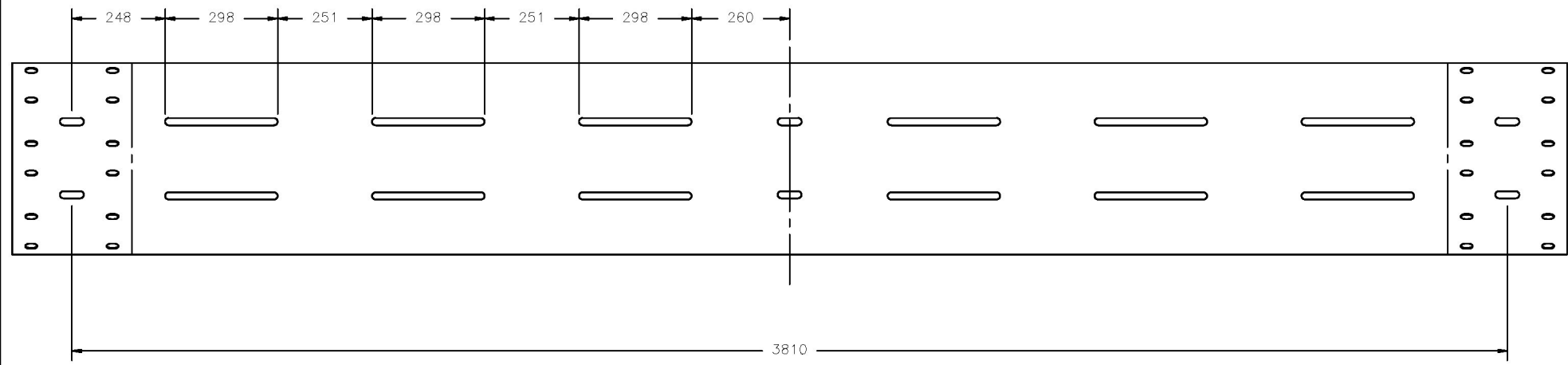
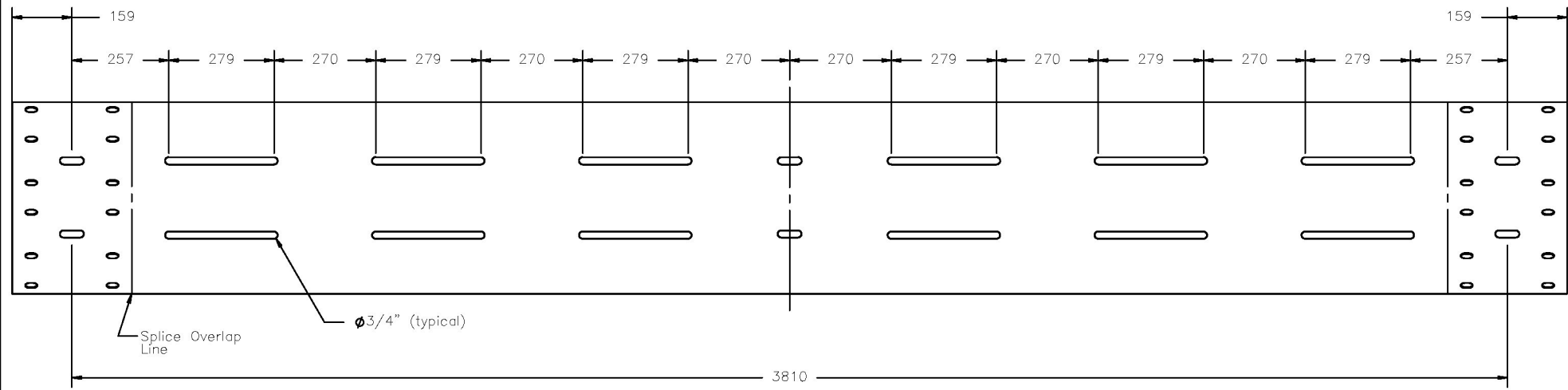


Midwest Roadside Safety Facility

Short Radius SR-8
Thrie Beam Section Slot Pattern No. 1

SHEET: 15 of 19
DATE: 7/31/2007
DRAWN BY: CSS

DWG. NAME: Short_Radius_sr8_metric
SCALE: 1:16 UNITS: mm
REV. BY: KAP, BWB



Midwest Roadside
Safety Facility

Short Radius SR-8
Three Beam Section
Slot Pattern No. 2

DWG. NAME:
Short_Radius_sr8_metric

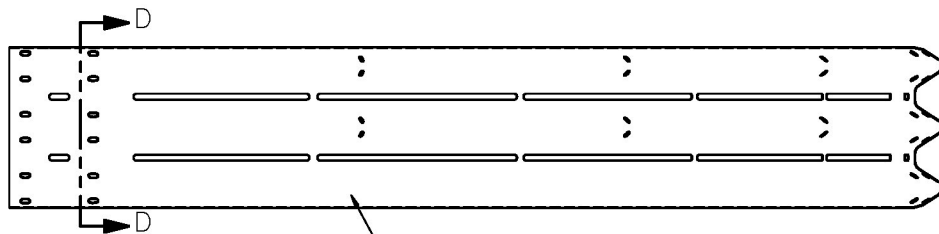
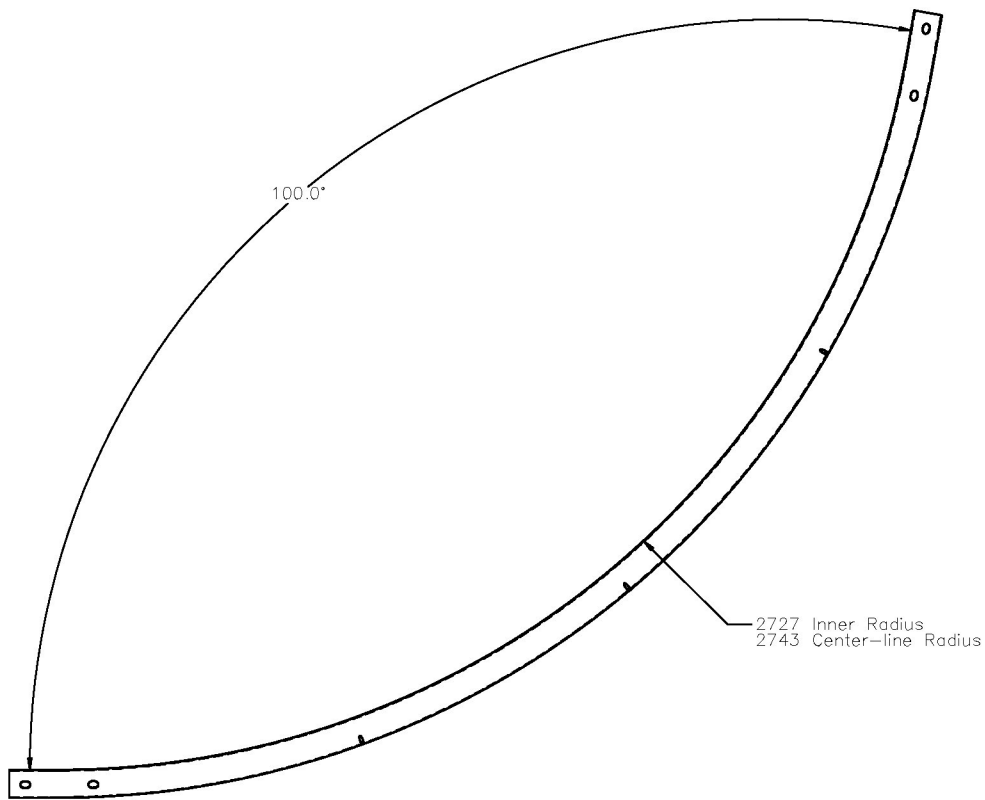
SCALE: 1:16
UNITS: mm

SHEET:
16 of 19


DATE:
7/31/2007

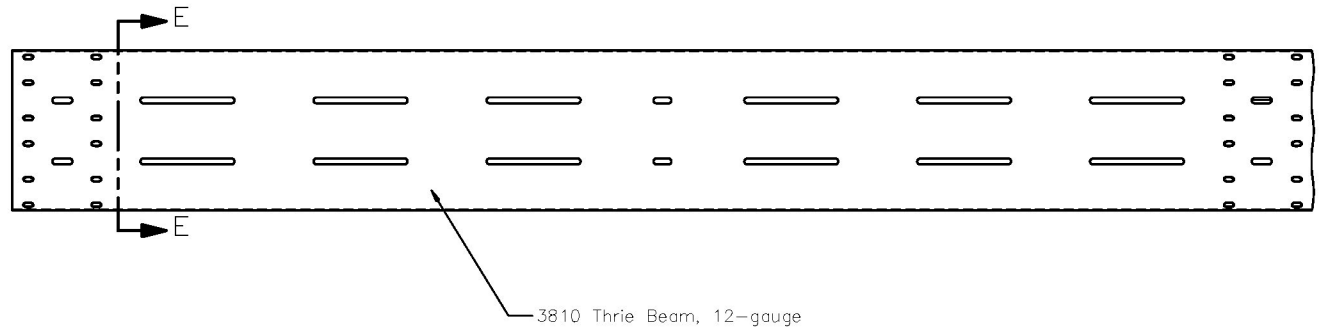
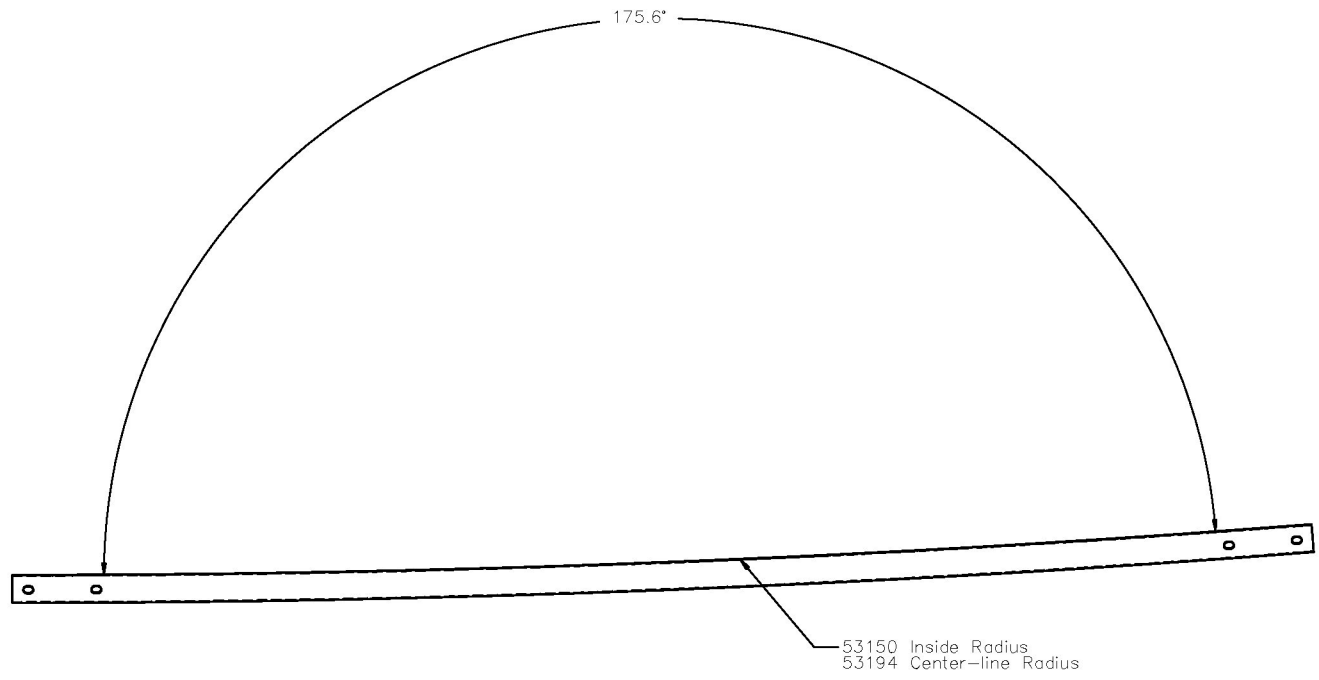
DRAWN BY:
CSS

REV. BY:
KAP, BWB



SECTION D-D

 Midwest Roadside Safety Facility	Short Radius SR-8 Thrie Beam Section Bend Radius No. 1		SHEET: 17 of 19
	DWG. NAME: Short_Radius_sr8_metric		DATE: 7/31/2007
		SCALE: 1:24 UNITS: mm	DRAWN BY: CSS
			REV. BY: KAP, BWB



Midwest Roadside
Safety Facility

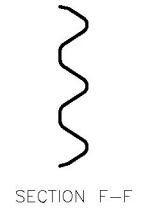
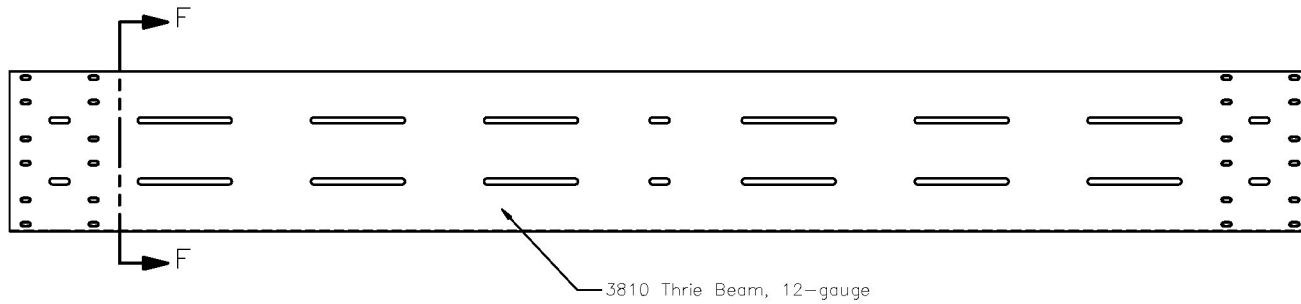
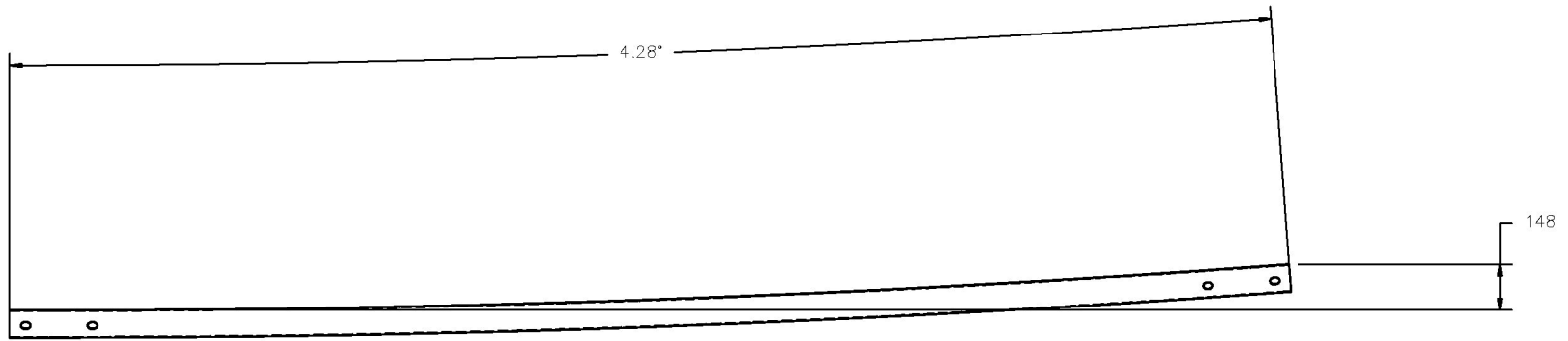
Short Radius SR-8

Thrie Beam Section
Bend Radius No. 2

DWG. NAME:
Short_Radius_sr8_metric

SCALE: 1:24
UNITS: mm

SHEET:
18 of 19
DATE:
7/31/2007
DRAWN BY:
CSS
REV. BY:
KAP, BWB



Midwest Roadside
Safety Facility

Short Radius SR-8

Thrie Beam Section
Bend Radius No. 3

DWG. NAME:
Short_Radius_sr8_metric

SCALE: 1:24
UNITS: mm

SHEET:
19 of 19
DATE:
7/31/2007
DRAWN BY:
CSS
REV. BY:
KAP, BWB