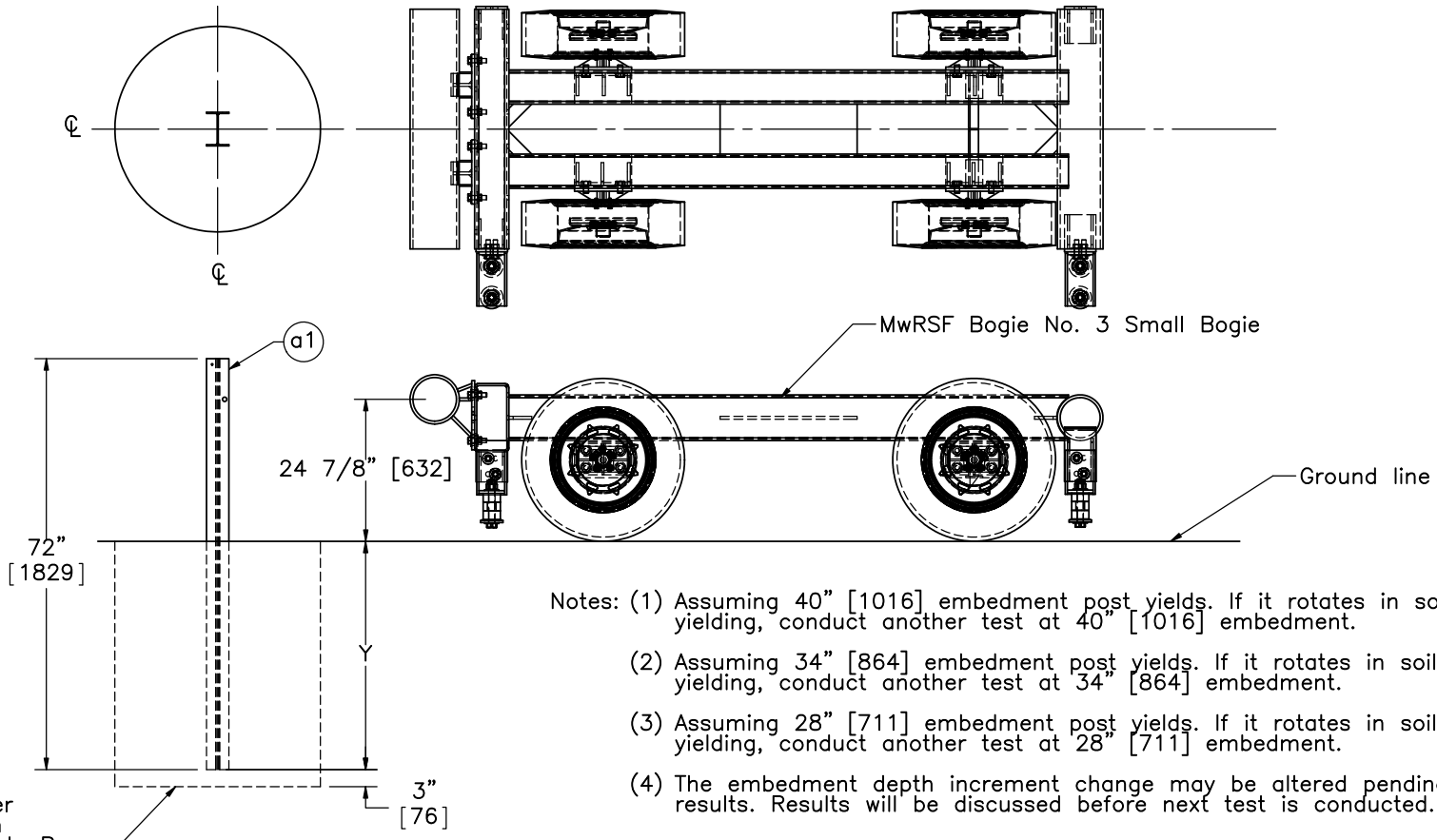


Test Quantity	Post Type	Load Height in. [mm]	Embedment Depth 'Y' in. [mm]	Bogie No.	Impact Speed mph [km/h]
1	W6x8.5 [W150x12.6]	24 7/8 [632]	40 [1016]	3	20 [32.2]
1	W6x8.5 [W150x12.6]	24 7/8 [632]	34 [864] (See Notes 1 and 4)	3	20 [32.2]
1	W6x8.5 [W150x12.6]	24 7/8 [632]	28 [711] (See Notes 2 and 4)	3	20 [32.2]
2	W6x8.5 [W150x12.6]	24 7/8 [632]	24 [610] (See Notes 3 and 4)	3	20 [32.2]



- Notes: (1) Assuming 40" [1016] embedment post yields. If it rotates in soil without yielding, conduct another test at 40" [1016] embedment.
- (2) Assuming 34" [864] embedment post yields. If it rotates in soil without yielding, conduct another test at 34" [864] embedment.
- (3) Assuming 28" [711] embedment post yields. If it rotates in soil without yielding, conduct another test at 28" [711] embedment.
- (4) The embedment depth increment change may be altered pending the test results. Results will be discussed before next test is conducted.

36" [914] Diameter Augered hole with AASHTO M147-65 Grade B compacted soil or acceptable alternative



Midwest Roadside Safety Facility

MATC Weak-Axis Impacts

W6x8.5 Weak-Axis Bogie Testing

DWG. NAME:
MATC_WeakAxisImpact_R3

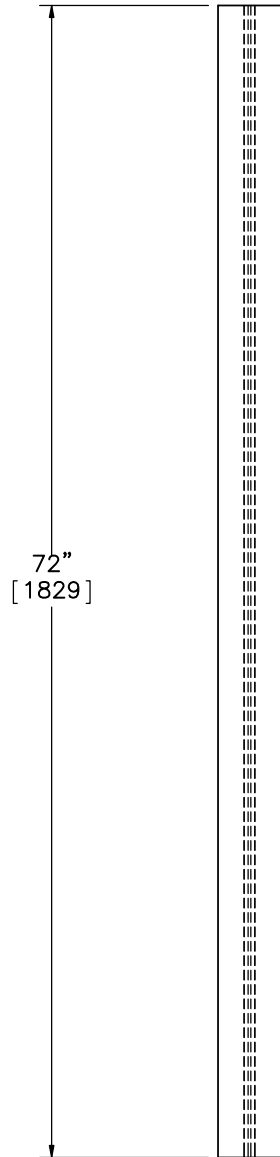
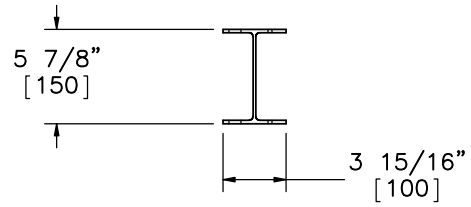
SCALE: 1:32
UNITS: in.[mm]

SHEET:
1 of 2

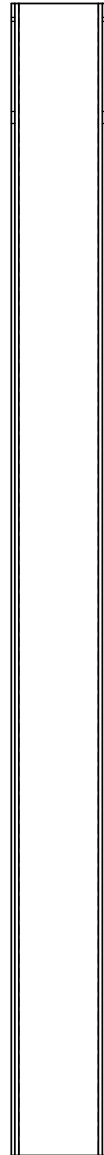
DATE:
9/30/2014

DRAWN BY:
SDB/KLK/JEK

REV. BY:
KAL



Part a1



Item No.	QTY.	Description	Material Specification	Hardware
a1	4	W6x8.5 [W150x12.6], 72-in. [1829-mm] Long Steel Post	A992 Steel (50 ksi)	PWE06



Midwest Roadside Safety Facility

MATC Weak-Axis Impacts

Post Details

DWG. NAME:
MATC_WeakAxisImpact_R3

SCALE: 1:12
UNITS: in.[mm]

SHEET:
2 of 2
DATE:
9/30/2014
DRAWN BY:
SDB/KLK/JE
K
REV. BY:
KAL

REV.	DATE OF ISSUE	Page	NATURE OF CHANGES	REVISED BY
R0	11/11/2013	-	Drawing started from NDOR_max_height_round2_R2	SDB
		-	Post rotated 90 degrees for weak-axis test	
		1	Test added (total of four). Test quantities and embedment depths changed for second and third test. Load Height changed for third test. Notes 1-4 added.	
		2	Quantity changed to 4. Material spec changed to A992 Steel (50 ksi)	
R1	6/13/2014	1	Added metric conversion in notes 1-3. General dimension changes.	JEK
R2	6/17/2014	1	New row added to table for 24" embedment depth; Removed row for 31" embedment depth; Note 3 corrected; Referenced Note numbers for each embedment depth corrected	KLK
R3	9/30/2014	1	Metric in Note 3 corrected.	JEK